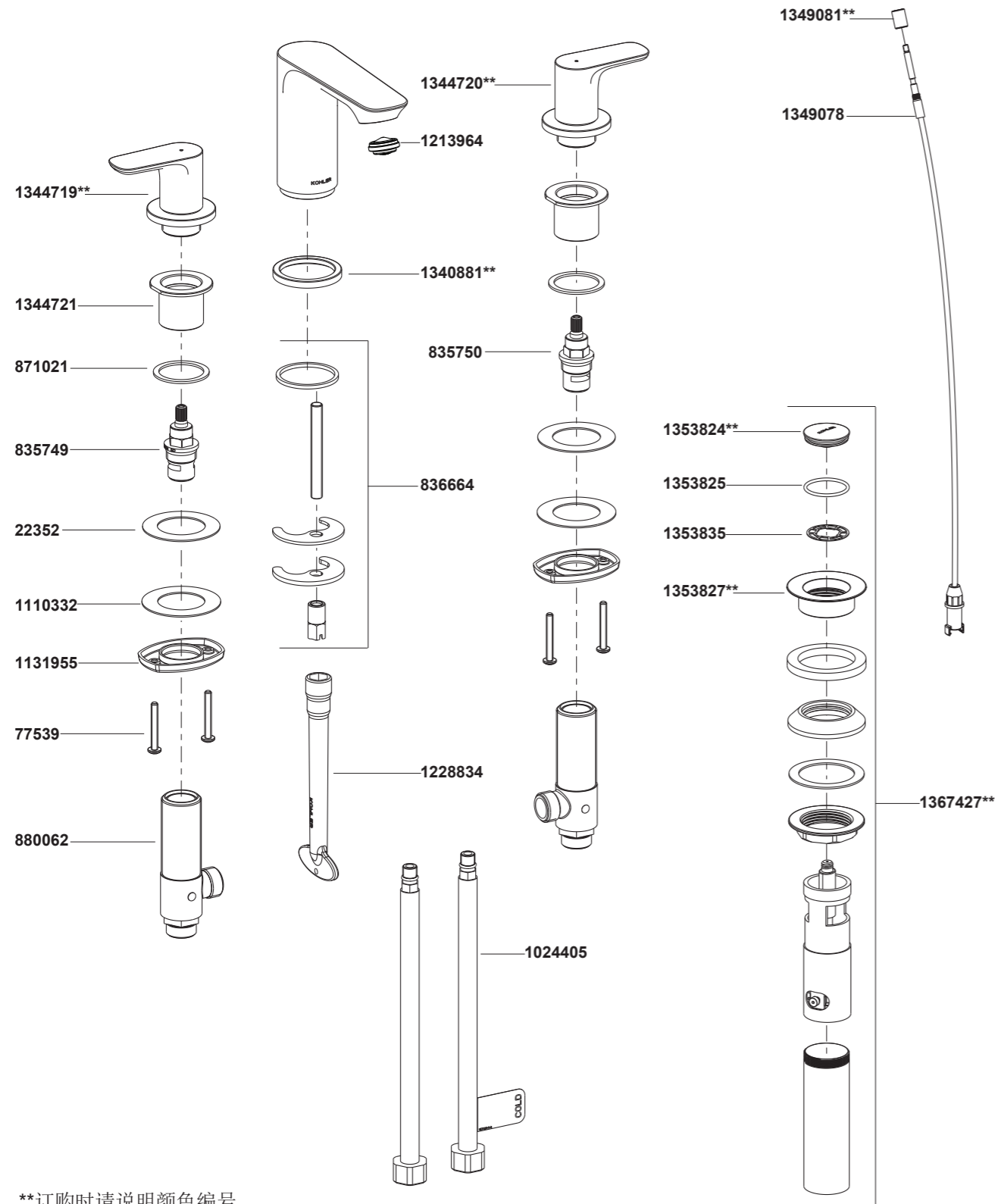


31237T-4 双把8寸脸盆龙头(致巧款)



**订购时请说明颜色编号
**Color code must be specified when ordering

31237T-4 双把8寸脸盆龙头(致巧款)

安装之前

所有的资料是按最新出版的产品资料编写而成。科勒公司保留任何时候不经通知即可改变产品特性、包装或产品可供类型的权利。

说明书包括重要的安装、保养及清洁方面的内容，请把这些资料交给用户阅读。

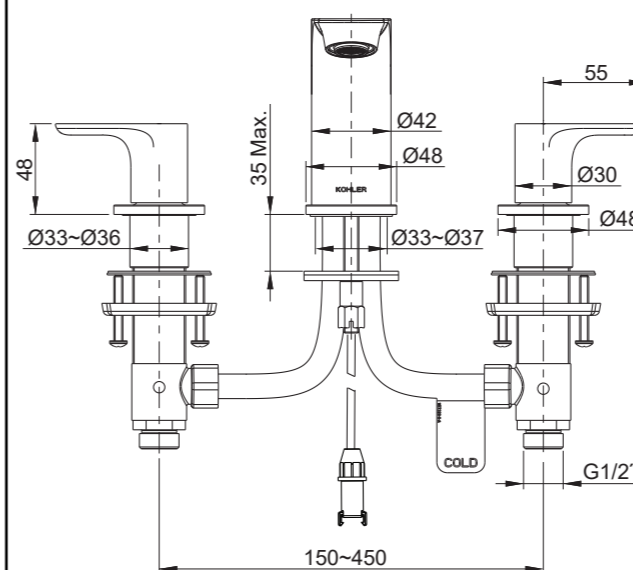
注意事项：

1. 一定要先彻底冲洗供水管以清除管道中的杂质。
2. 尽可能在安装脸盆之前安装水龙头。
3. 检查供水管有无损坏和漏水。如需要，进行替换和维修。
4. 遵守当地管路安装条例。
5. 切断供水管路。

使用说明

顺时针旋转右把手为开，逆时针旋转左把手为开。

安装尺寸



BEFORE YOU BEGIN

All information is based on the latest product information available at the time of publication. Kohler Co. reserves the right to make changes in product characteristics, packaging, or availability at any time without notice.

Please leave these instructions for the consumer. They contain important information.

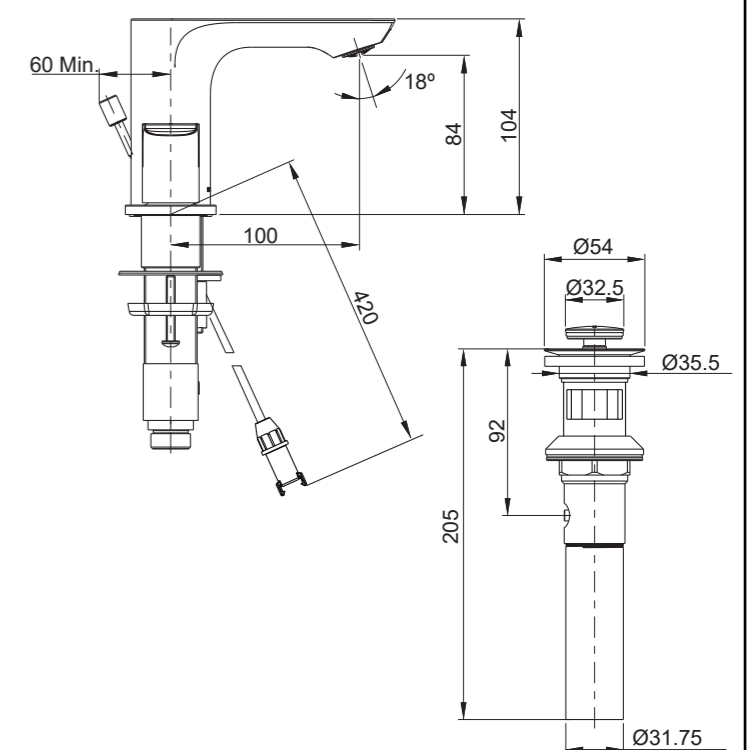
NOTES:

1. Flush the water supply pipes thoroughly to remove debris.
2. If possible, install this faucet before installing the lavatory.
3. Inspect the supply tubing for damage and leakage. Replace and maintain as necessary.
4. Observe local plumbing codes.
5. Shut off the water supplies to the fitting.

HANDLE OPERATION

Right handle opens with turning clockwise.
Left handle opens with turning counter-clockwise.

ROUGH-IN DIMENSIONS

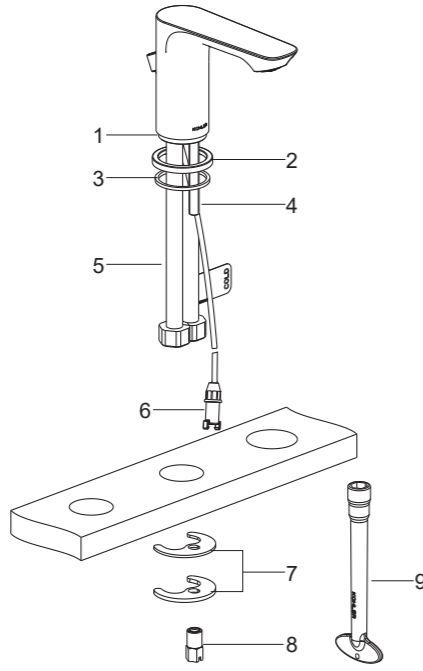


安装步骤

如何安装出水口

首先将固定螺栓(4)安装到出水口底部(1)处, 将垫片(3)嵌入到装饰底座(2)槽中, 将装饰底座带垫片穿过软管(5)和线缆末端(6)套到出水口底部。

将出水口组件插入到脸盆的安装孔中, 调整出水口组件, 从脸盆的下方把托架(7, 橡胶垫片放在上面)套入固定螺栓, 并用扳手(9)拧紧螺母(8)以固定出水口组件。



INSTALLATION

How to Install the Spout

Install the mounting stud(4) onto the bottom(1) of the faucet, and put the washer(3) into the groove at the backside of the escutcheon(2). Slide the escutcheon with the washer over the flexible hoses(5) and cable end(6).

Insert the spout assembly into the lavatory hole. Position the spout. From underside of the lavatory, place the brackets(7, Rubber washer is on the top) onto the mounting stud, and tighten the nut(8) with a wrench(9) to secure the spout.

如何安装阀体和把手

将把手组件(10)、螺母(12)与垫片(13)从阀体组件(16)上取下。确保垫片(17, 钢垫在下方)和安装环(14)在阀体上。

从脸盆下方将阀体组件装入脸盆安装孔。**注意:** 面向龙头时, 贴有红圆的阀体组件装在左侧。

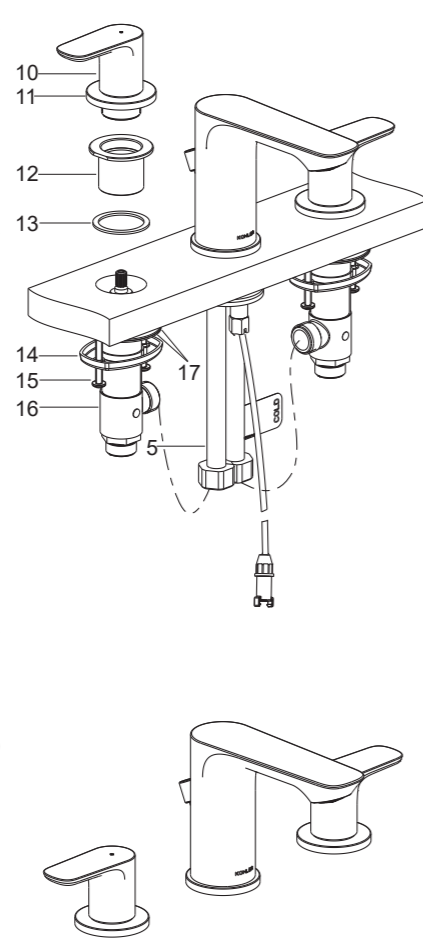
将橡胶垫片(13)装到螺母(12)底部凹槽中, 从脸盆上方将螺母旋到阀体组件。

根据软管安装需要适当调整阀体出水口朝向。用螺丝刀拧紧螺钉(15)以固定阀体组件。

将软管(5)连接到阀体组件上, 当您面对水龙头时左边为热水, 右边为冷水, 冷水管有“COLD”签。

确保阀芯处于关闭状态, 将把手组件(10)方向水平地按在螺母(12)上。扶住把手, 旋转锁紧把手底座(11)。**注意:** 带有红色圆点的把手装在左侧。

阀处于关闭位置把手的状态如图示。



How to Install the Valve Bodies and Handles

Remove the handle kit(10), nut(12) and rubber washer(13) from each valve body(16). Be sure the washers(17, steel washer is at the bottom) and threaded ring(14) on the valve body.

From the underside of the lavatory, install the valve body into the mounting hole of lavatory. **NOTE:** the valve body with red mark should be installed on the left side.

Put the rubber washer(13) into the bottom groove of the nut(12). Tighten the nut onto the valve body from the upside of the lavatory.

Adjust the outlet of side body to connect hose easily. Secure the side bodies by tightening screws(15) with screwdriver.

Attach the hoses(5) to side bodies. When facing front of the faucet, the left hose connects to hot water, the right hose with "COLD" label connects to cold water.

Press the handle kit(10) onto the nut(12) with the valve closed. Hold the handle and tighten the handle base(11). **NOTE:** The handle kit with red mark should be installed on the left side.

The illustration shows the correct position of the handles in the off position.

如何安装排水器

将止水塞(18)、法兰盘(20)及垫片(21)从排水本体(25)上取下。从排水本体上取下尾管(26)。用密封胶带(生料带)在排水器尾管的螺纹上缠几圈, 再装回到排水本体上。把排水本体组件从脸盆下方插到脸盆中, 磁扣接头(23)朝脸盆后方。

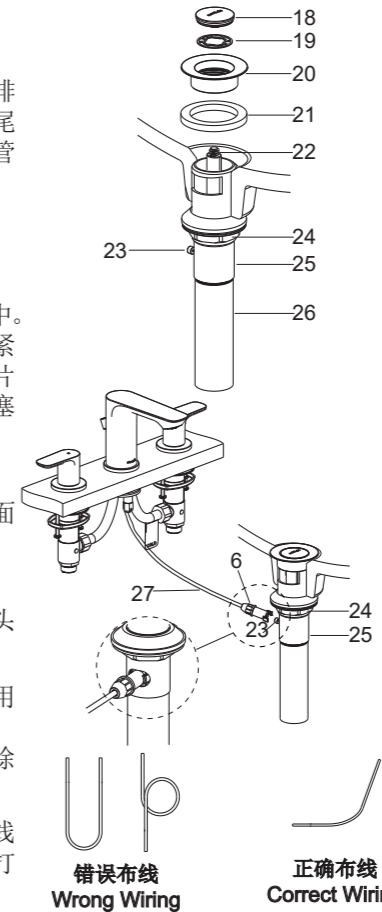
把法兰盘(20)带垫片(21)旋入到排水本体中。确保磁扣接头指向脸盆后方, 用扳手拧紧排水本体上的锁紧螺母(24)。将滤网垫片(19)放入法兰盘中。把止水塞(18)旋到活塞组件(22)上。

注意: 如果需要可直接在法兰盘(20)底面沿周围涂一圈密封油灰, 或其他密封剂, 而不使用垫片(21)。

将提拉线缆末端(6)与线缆排水器磁扣接头(23)相连接, 并确保卡扣扣紧。

注意: 在锁紧螺母拧紧后, 如法兰盘使用密封油灰则不可以调整排水本体的位置, 否则会破坏油灰密封的密封性。同时去除多余油灰。

在排水器安装完成后, 请务必检查提拉线缆(27)是否正确安装, 避免过于曲折或打结缠绕, 确保提拉顺畅。如图所示。



How to Install the Drain

Remove the stopper(18), flange(20) and washer(21) from the drain body(25). Take off the tailpiece(26). Apply thread tape to tailpiece and install the tailpiece to drain body. From underside, insert drain body kit into the lavatory with the magnetic snap(23) in the drain facing the back of the lavatory.

Screw the flange(20) with washer(21) onto drain body. Be sure the magnetic snap points to the back of the lavatory, tighten the locknut(24) on the drain body with wrench. Put the filter(19) into the flange. Screw the stopper(18) on the piston kit(22).

NOTE: If needed, apply a ring of plumbers putty around the backside of the drain flange(20), instead of using washer(21).

Install the cable end(6) into the magnetic snap(23), ensure the buckle is locked in place.

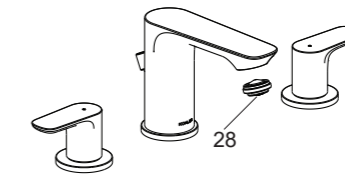
NOTE: Do not reposition the drain if plumbers putty applied after the locknut is tightened, or you may break the putty seal. Wipe away excess plumbers putty.

After the installation, please check if the cable(27) is connected properly. Do not overbend or twine the cable as shown.

安装结果检查

检查并确保所有的衔接螺母都已拧紧, 确保把手在关闭位置。打开排水器和主要供水源, 检查并修理有漏水的接口。

用硬币拆下起泡器组件(28)。打开水龙头冷热水, 让水流约一分钟以清除杂质。冲洗起泡器组件, 关闭龙头, 重新装回起泡器组件。



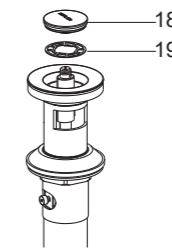
INSTALLATION CHECKOUT

Ensure all connections are tight. Ensure the handles are in the off position. Turn on the drain and main water supply, and check for leaks. Repair as needed.

Remove the aerator kit(28). Turn on the faucet. Run hot and cold water through the faucet for about one minute to remove any debris. Remove any debris from the aerator kit. Shut off the faucet. Reinstall the aerator kit.

如何清理排水器

逆时针旋下止水塞(18), 取出并清理滤网垫片(19)。重新装回滤网垫片和止水塞。



How to Clean the Drain

Turn counter-clockwise the stopper(18). Remove and clear the filter(19). Reinstall the filter and stopper.

清洗说明

适用于所有加工处理过的表面: 以中性肥皂水清洗镀层表面, 再以干净的软布彻底擦干整个表面, 许多清洁剂, 比如氨水、去污粉及洁厕灵等, 会对电镀表面造成伤害, 切忌使用。

有磨损性的清洁用具或清洁剂也不可适用于科勒牌的水龙头及其配件上。

CLEANING INSTRUCTIONS

All Finishes: Clean the finish with mild soap and warm water. Wipe entire surface completely dry with clean soft cloth. Many cleaners may contain chemicals, such as ammonia, chlorine, toilet cleaner etc. which could adversely affect the finish and are not recommended for cleaning.

Do not use abrasive cleaners or solvents on Kohler faucets and fittings.